

RECOMMENDED PCB LAYOUT
TOLERANCE: ±0.05

Material
Housing:Hing Temperature Thermoplastic,
UL 94V-0 PBT,Black/White.
Contact:Copper Alloy C2680.
Shell:Copper Alloy C2680/SPCC.

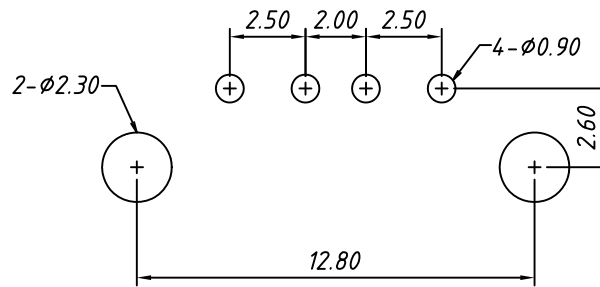
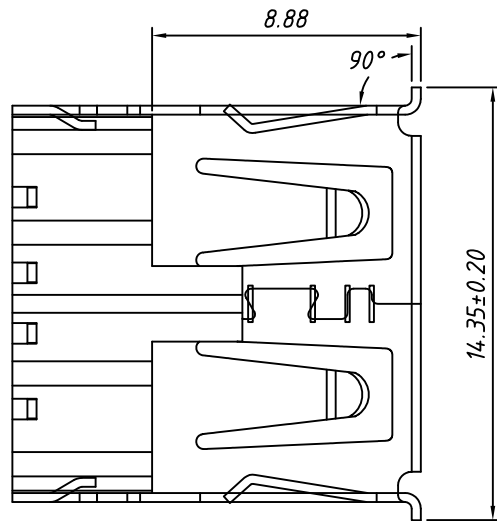
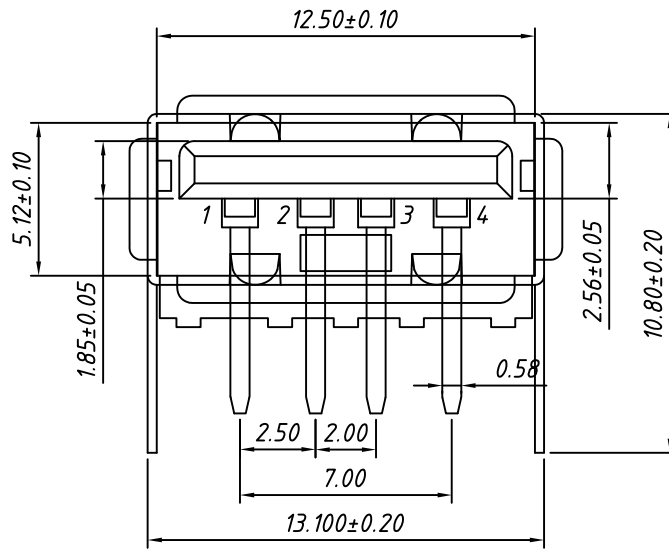
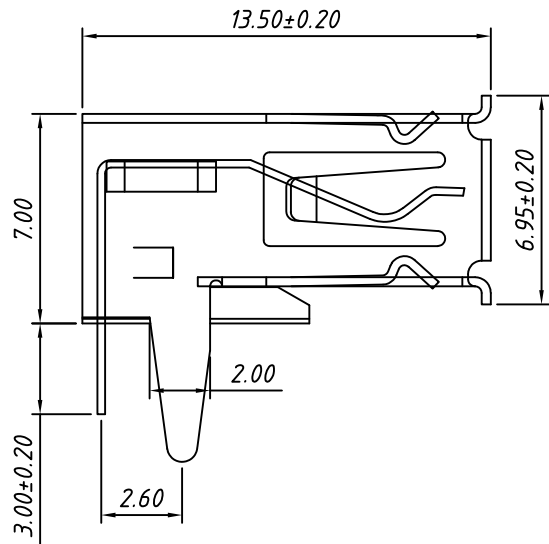
Finish:
Contact:Plated Gold In Mating Area;
Tin On Solder Tails.
Shell:Nickel Plating.

Electrical:
Current Rating:1.5A/Contact Terminal.
Voltage Rating:30V DC
Contact Resistance:30mΩ Max.
Dielectric Withstanding Voltage:
500 V AC AT Sea Level.
Insulation Resistance:1000MΩ Min.
Connector Mate and Unmated Force
Mate Force:3.75kgf Max.
Unmated Force:1.02kgf Min.
Terminal Retention:1.2kgf Min.

Order Information

L-KLS1- 1811 - B
Color:W=White
B=Black
CONN USB 2.0
RoHS

PROJECTION		Description:
UNITS	mm	CONN COM TYPE A USB Female R/A
SCALE	1:1	
Draw by:	Jenny	KLS P/N: L-KLS1-1811-X
Check by:		
Date	2018-03-01	
SHEET	1 OF 1	NingBo KLS ELECTRONIC CO.,L TD.



RECOMMENDED PCB LAYOUT
TOLERANCE: ±0.05

Material
Housing:Hing Temperature Thermoplastic,
UL 94V-0 PBT,Black/White.
Contact:Copper Alloy C2680.
Shell:Copper Alloy C2680/SPCC.

Finish:
Contact:Plated Gold In Mating Area;
Tin On Solder Tails.
Shell:Nickel Plating.

Electrical:
Current Rating:1.5A/Contact Terminal.
Voltage Rating:30V DC
Contact Resistance:30mΩ Max.
Dielectric Withstanding Voltage:
500 V AC AT Sea Level.
Insulation Resistance:1000MΩ Min.
Connector Mate and Unmated Force
Mate Force:3.75kgf Max.
Unmated Force:1.02kgf Min.
Terminal Retention:1.2kgf Min.

Order Information

L-KLS1- 181AB - B
Color:W=White
B=Black
CONN USB 2.0
RoHS

GENERAL TOLERANCE		ANGLE TOLERANCE		PROJECTION	Description:	
X	±0.60	X	±5°	UNITS	CONN COM TYPE A USB Female R/A	
.X	±0.38	.X	±3°	SHEET SIZE		A4
.XX	±0.25	.XX	±2°	KLS P/N:		L-KLS1-181AB-X

Draw by: Date	2018-03-01
Check by: Date	2018-03-01
SCALE	SHEET OF

KLS
NingBo KLS ELECTRONIC CO.,LTD.